



**TEST REPORT NO.: FCB 00-516**

STATIC LOAD TESTING OF COUPLING DEVICE  
IN ACCORDANCE WITH  
DIRECTIVE NO. 89/173/EØF  
(ATTACHMENT 4, APPENDIX 3)

COUPLING DEVICE : Bredal type 5000  
ENTRANT : Maskinfabrikken Bredal A/S  
Overgårdsvej 19, Bredal  
DK-7120 Vejle  
DATE OF TEST : April 27, 2000

*NB: This report is not to be duplicated, except in full.  
This report is a translation of the original report in Danish language issued May 3, 2000  
by Danmarks JordbrugsForskning.*

Research Centre Bygholm  
Schüttesvej 17  
DK-8700 Horsens

Phone: +45 8999 1900  
Fax: +45 8999 3100  
E-mail: jbt.djf@agrsci.dk

# TEST REPORT CONCERNING A FALLING-OBJECT PROTECTIVE STRUCTURE (FOPS) FOR CONSTRUCTION PLANT

Test report No.:

FCB 00-516

Name and address of test laboratory: Danish Institute of Agricultural Science, Research Centre  
Bygholm, Schüttesvej 17, DK-8700 Horsens, Denmark

1. Coupling device, type: BREDAL type 5000 with eye

2. Name and address of the manufacturer: Maskinfabrikken BREDAL, DK-7120 Vejle

3. The coupling device was subjected to a static test.

4. Technically permissible trailer mass: 35000 kg

5. Vertical load on the coupling point: 5000 daN

## 6. Minimum load requirement

6.1 Vertical load:

6.1.1. Load: 15000 daN

6.1.2 Permanent deformation must not exceed 10% of max. elastic deformation.

6.2 Horizontal load:

6.2.1. Load: 52500 daN

6.2.2. Permanent deformation must not exceed 25% of max. elastic deformation.

## 7. Test results

7.1. Vertical load:

7.1.1. Max. elastic load: 15000 daN

7.1.2. Max. elastic deformation: 5,78 mm

Permanent deformation: 0,28 mm

Permanent deformation in relation to max. elastic deformation: 4,8%

## 7.2 Horizontal load

7.2.1. Max. applied load: 52500 daN

7.2.2. Max. elastic deformation: 1,10 mm

Permanent deformation: 0,22 mm

Permanent deformation in relation to max. elastic deformation:

20%

8. Drawings Nos.: TR.90.01, TR.90.11, TR.90.12, and TR.90.13 (pages 4, 5, 6 and 7)

9. Load-deformation curve, page 3

Research Centre Bygholm

(Place)

3.5.00

(Date)

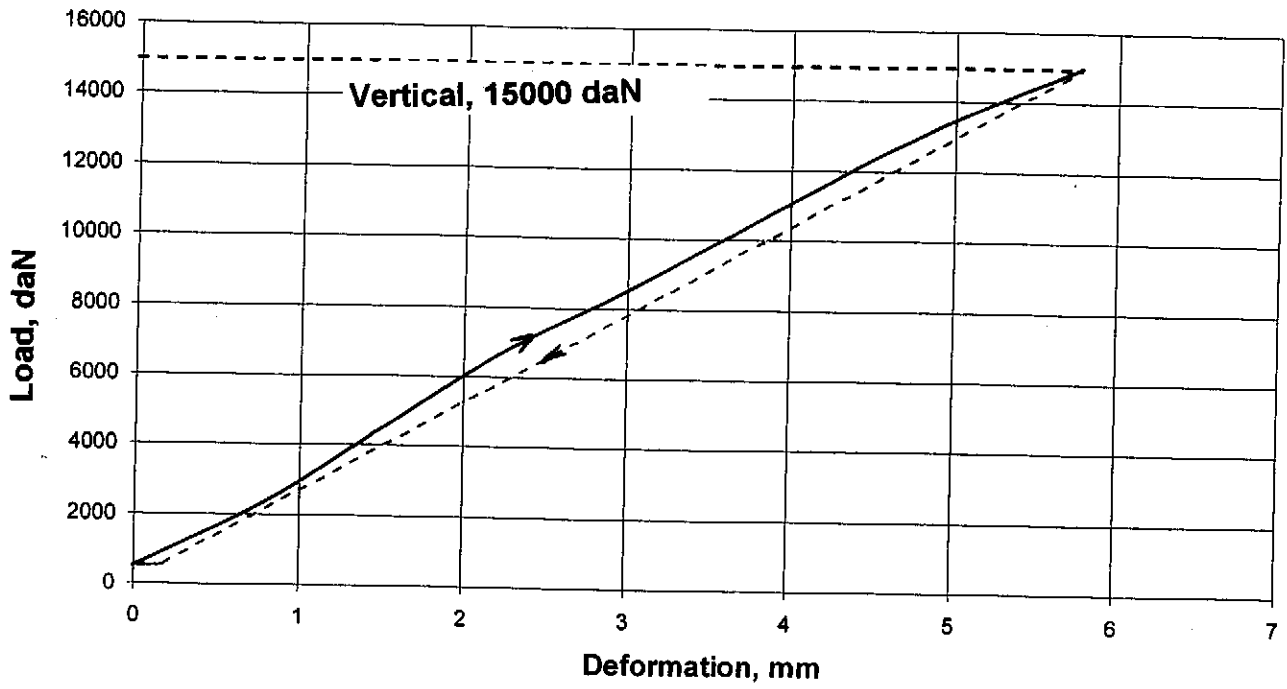
P. Madsen

Test Engineer

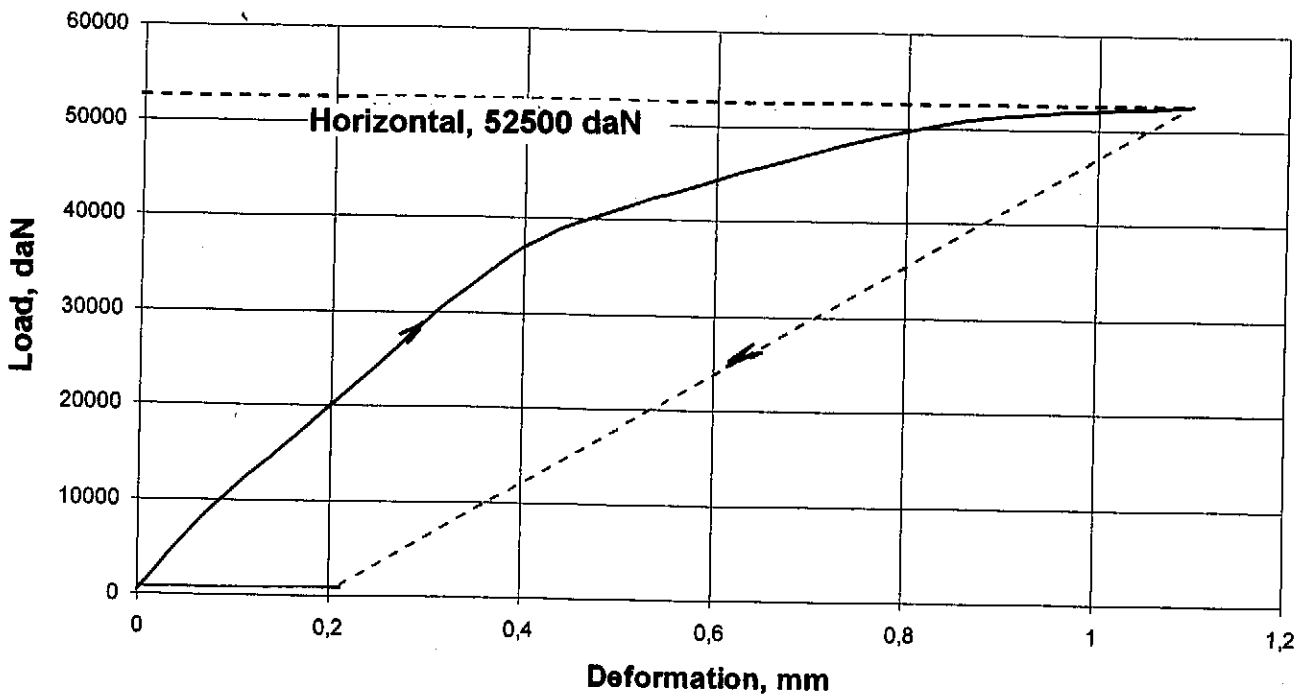
N.P. Madsen

Quality Engineer

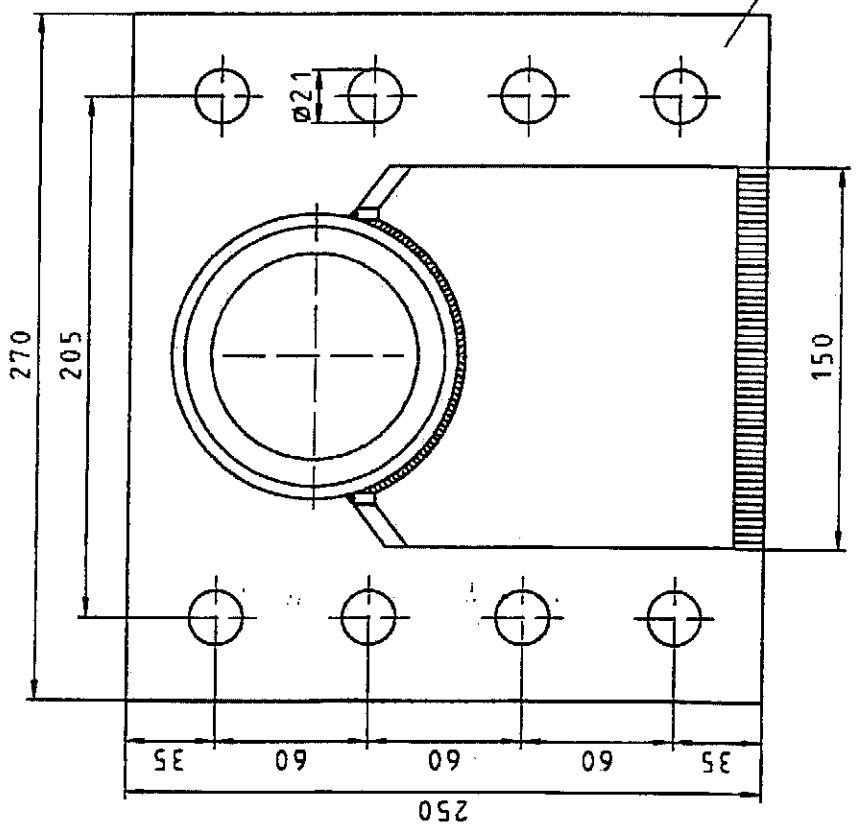
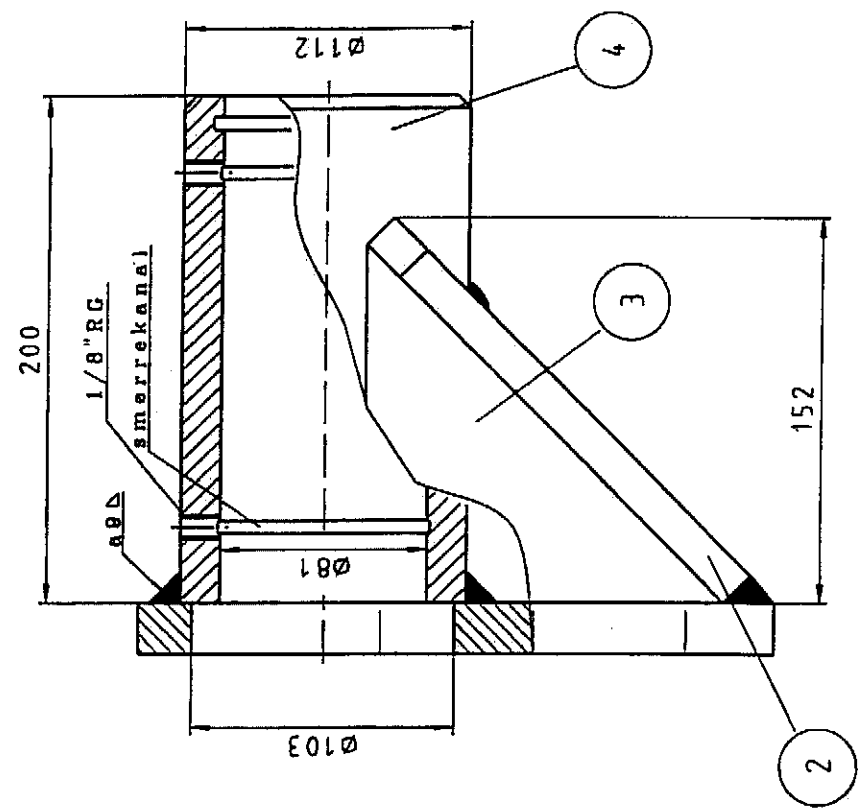
### Vertical



### Horizontal





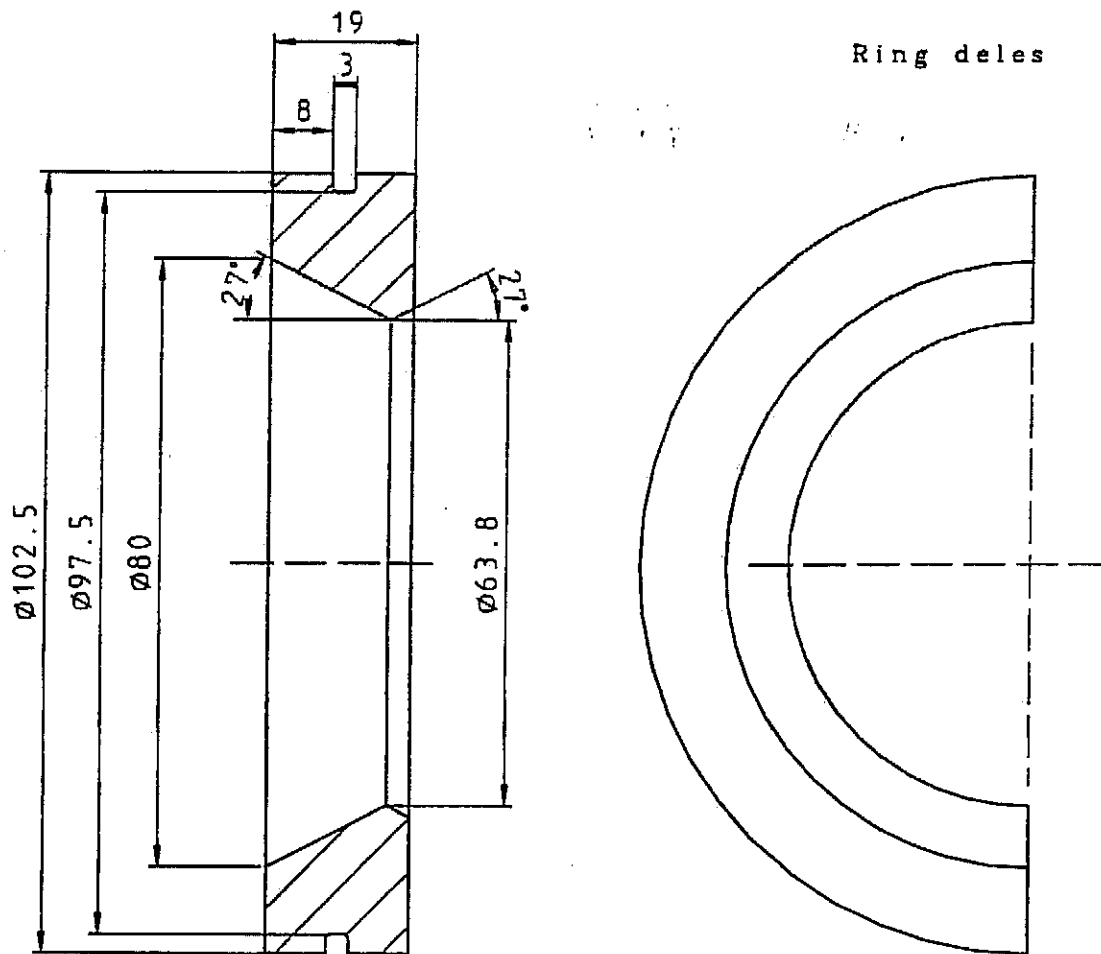


4	1	Emnerer	Ø112/80x200	SI.52.3
3	2	Plode	8 mm.	SI.37.2
2	1	Plode	12x150x200	SI.52.3
1	1	Plode	20x270x250	SI.52.3
pos.nr	stik.	materiale	dim.	standard
		MASKINFABRIKEN "BREDAL"	rel.	date navn
		GENSTAND	1:3	12/4.00 EJ
		HUS FOR 5 TON. TREK		TEGN. NR.
				TR.90.11
relief / date				

**A/S MASKINFABRIKEN BREDAL**  
 Overgårdsvej 1p, Bredal-7120 Vejle Ø-Telefon 75805177  
 Fax: 75899972 - Internet: www.bredal.com - E-mail: info@bredal.com

5005 5 007





**A/S MASKINFABRIKEN BREDAL**

Overgårdsvej 19, Bredal-7120 Vejle Ø-Telefon 76895177  
 Fax: 76895972 - Internet: www.bredal.com - E-mail: info@bredal.com

1	1	Emnerør	106x63	St.52.3
<i>pos.nr</i>	<i>sik.</i>	<i>øms</i>	<i>dim.</i>	<i>materiale</i>
		MASKINFABRIKEN "BREDAL"	<i>mål.</i> 1:1	<i>dato navn</i> 12/4.00 EJ
		GENSTAND		<i>TEGN. NR.</i>
		LÅSERING FOR 5 TON TRÆK		TR.90.13
		<i>retil / dato</i>		